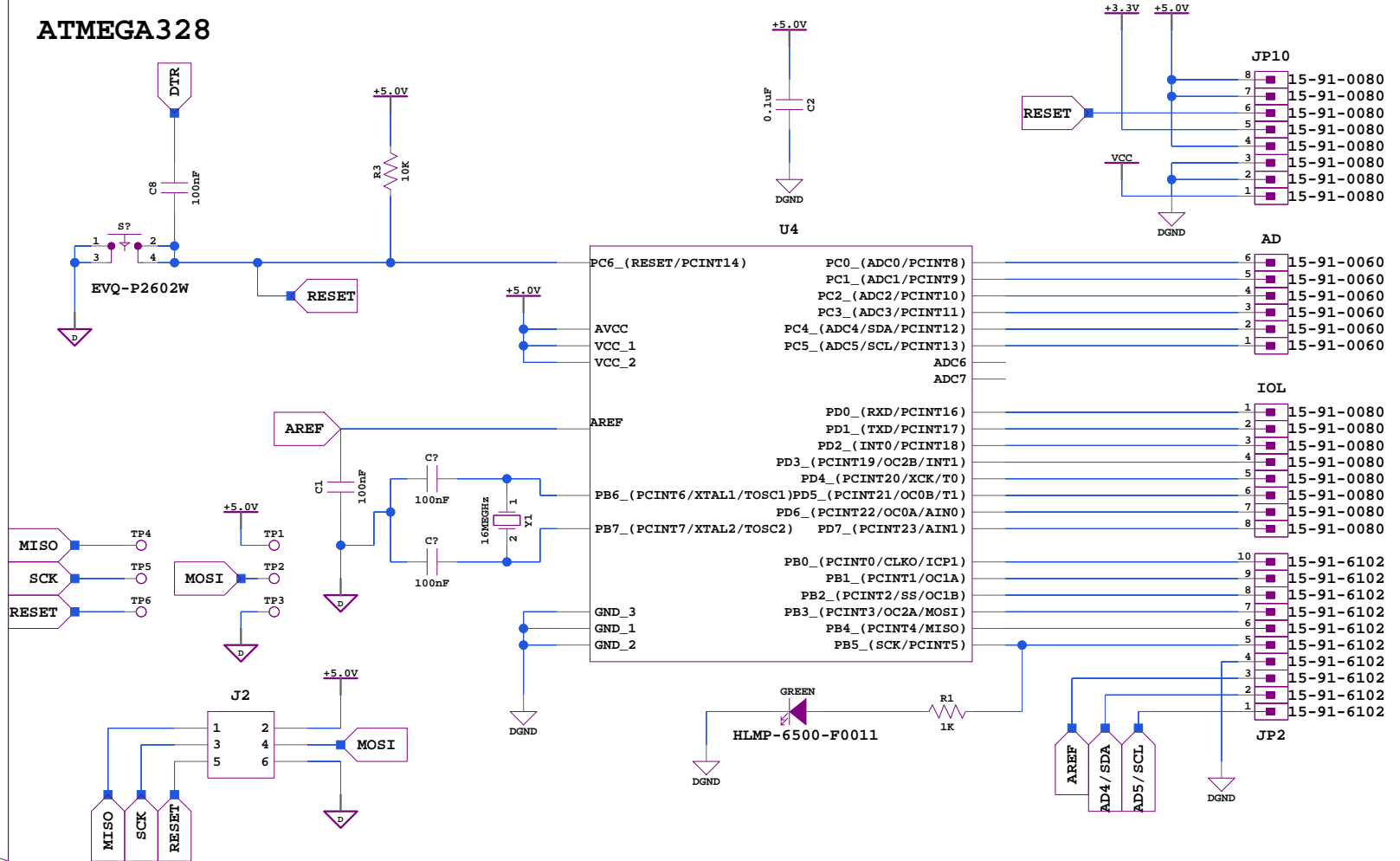
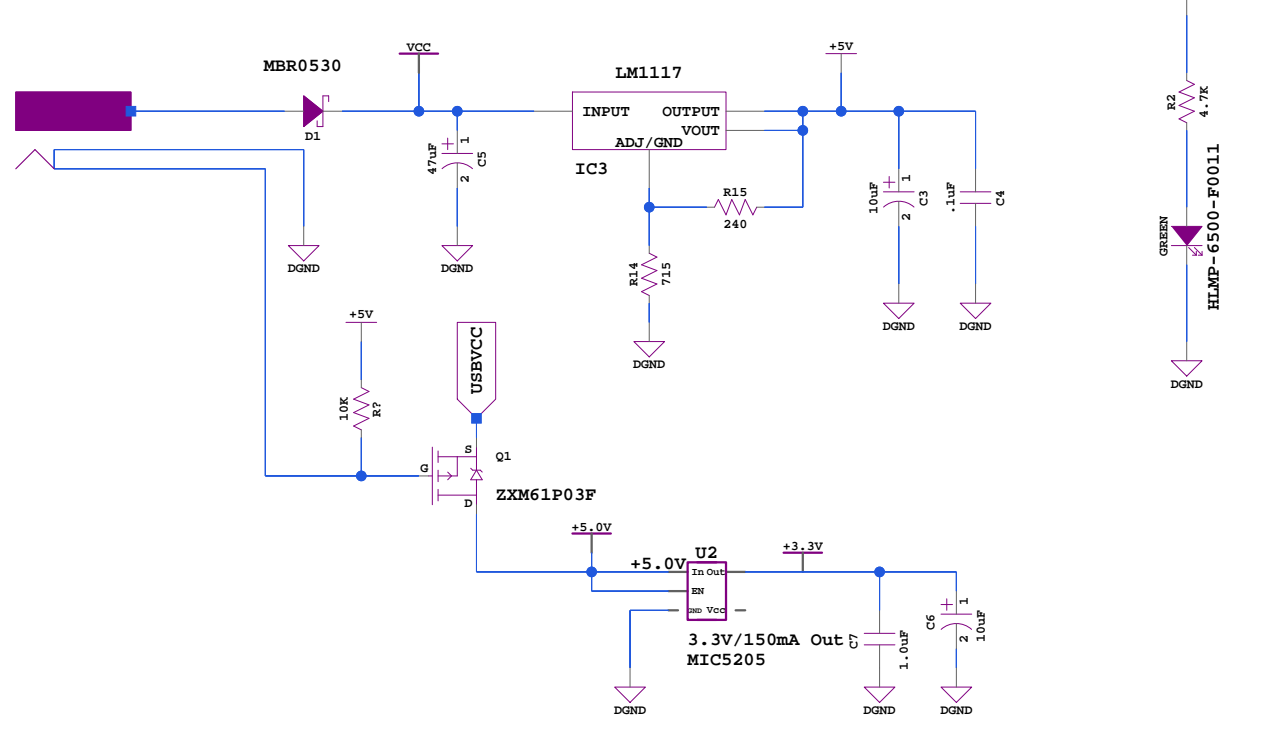


# ATMEGA328

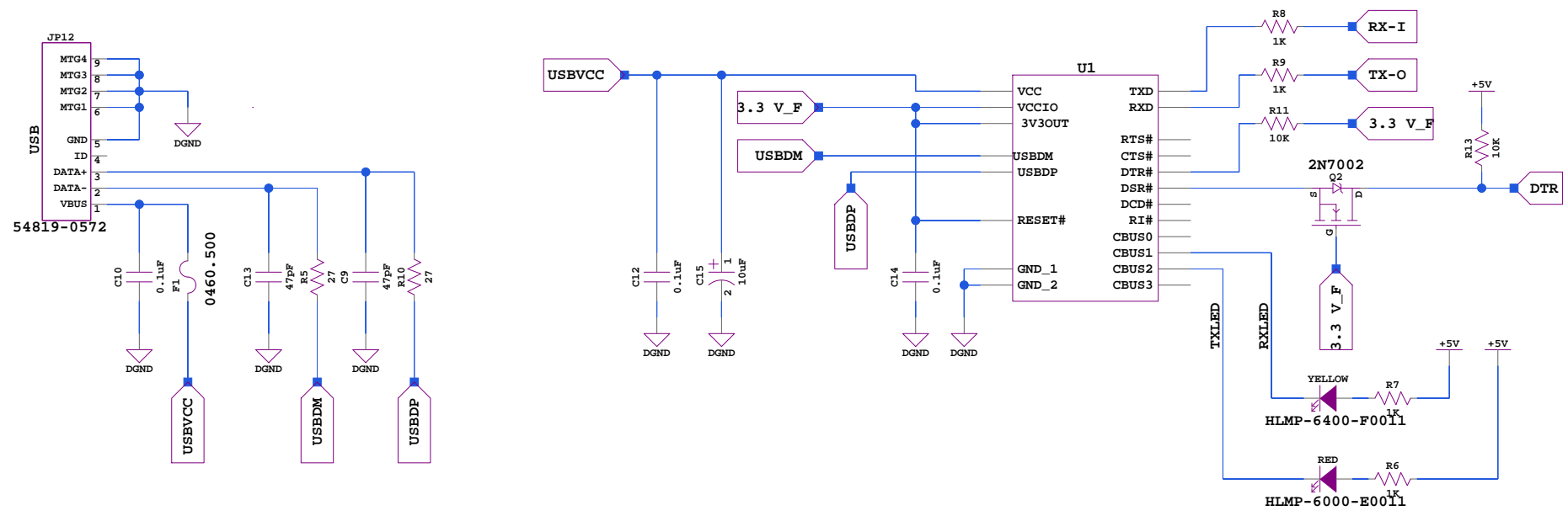


# Power Supply

Vin Range: 7-15V



# FT231XS (USB-to-SERIAL CONVERTER)



HERNANDEZ

# Project Arduino